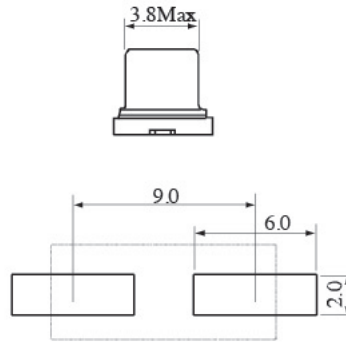
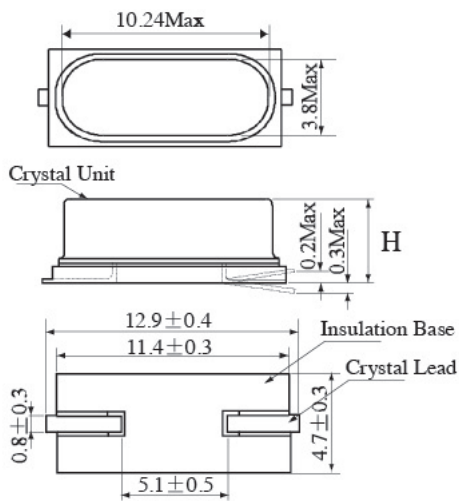


OUTLINE DIMENSIONS



49SM : H = 4.2mm max.

49SSM : H = 3.2mm max.