

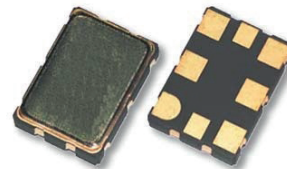
SX7CF

CMOS SURFACE MOUNT CRYSTAL CLOCK OSCILLATOR

FEATURES

- 4 Frequencies Switchable Oscillator
- Ultra-low Jitter
- Up to 250 MHz
- Short delivery

7.0 x 5.0 x 1.8 mm



Item	Specification															
Frequency Range	15.0 MHz ~ 250 MHz															
Output Signal	CMOS															
Overall Frequency Stability*	± 25 ppm ~ ± 100 ppm (see options)															
Operating Temperature Range	0~+70°C commercial application (see options) -40 ~ +85°C industrial application (see options)															
Supply Voltage Vdd	+1.8V ±5% +2.5V ±5% +3.3V ±10%															
Supply Current Idd	75 mA typ.															
Output Level	VOH ≥ 0.9 Vdd VOL ≤ 0.1 Vdd															
Output Load	15 pF															
Symmetry	45 / 55 %															
Rise Time / Fall Time Fr/Ff	5.0 ns max.															
Start-up Time	3 ms typ. ; 10 ms max.															
RMS Jitter (12 kHz to 20 MHz band)	150 fs typ.															
Frequency selection configurations	<table border="1"> <thead> <tr> <th>FS1</th> <th>FS0</th> <th>Frequency output</th> </tr> </thead> <tbody> <tr> <td>0</td> <td>0</td> <td>Freq. 1</td> </tr> <tr> <td>0</td> <td>1</td> <td>Freq. 2</td> </tr> <tr> <td>1</td> <td>0</td> <td>Freq. 3</td> </tr> <tr> <td>1</td> <td>1</td> <td>Freq. 4</td> </tr> </tbody> </table>	FS1	FS0	Frequency output	0	0	Freq. 1	0	1	Freq. 2	1	0	Freq. 3	1	1	Freq. 4
FS1	FS0	Frequency output														
0	0	Freq. 1														
0	1	Freq. 2														
1	0	Freq. 3														
1	1	Freq. 4														
Frequency Select Timing	2.5 ms max.															
Packing Unit	1000pcs / reel															
Soldering Condition	260°C , 10 sec x2 max															
	Customer specifications on request															

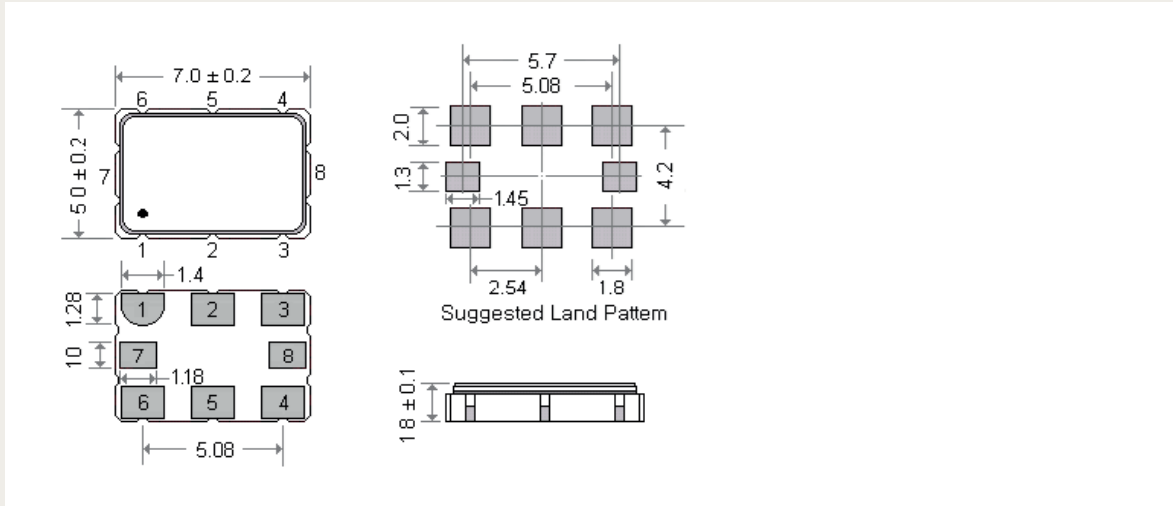
(*) Includes initial tolerance @+25°C, stability over operating temperature, stability vs. load change, stability vs. supply change and one year aging

OPTIONS & ORDERING INFORMATION

Supply Voltage	Operating Temp. *	Overall Stability *	Tri-state Function	Frequency 1 (MHz)	Frequency 2 (MHz)	Frequency 3 (MHz)	Frequency 4 (MHz)
18 = +1.8V	E = 0° / +70°C	20 = ±20 ppm	F = No Tri-state				
25 = +2.5V	F = -20° / +70°C	25 = ±25 ppm					
33 = +3.3V	K = -40° / +85°C	30 = ±30 ppm					
		50 = ±50 ppm					
		100 = ±100 ppm					

(*) Note : Not all combinations are possible, please consult us.

OUTLINE DIMENSIONS (mm)



Pin Connections	#1 : FS0 Control	#2 : FS1 Control	#3: GND	#4 : Output
	#5 : NC	#6 : Vdd	#7: Do not connect	#8 : Do not connect