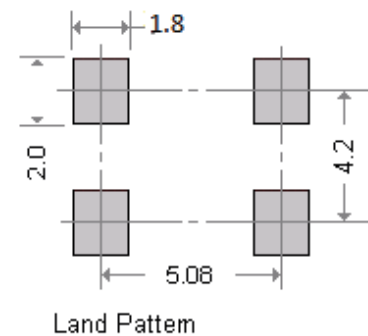
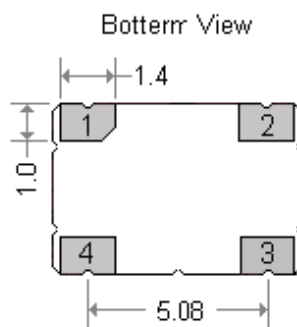
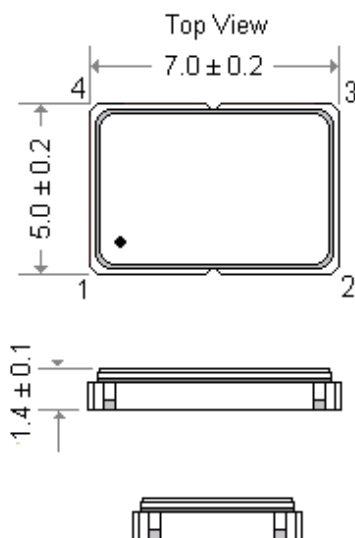


OPTIONS & ORDERING INFORMATION

SX7CJ						MHz
Supply Voltage *	Operating Temp. *	Overall Stability *	Tri-state Function	Output Load *	Frequency in MHz	
18 = +1.8V	D = -10° / +60°C	20 = ±20 ppm	E = Tri-state	blanc = 15 pF	Please specify the frequency in MHz	
25 = +2.5V	E = 0° / +70°C	25 = ±25 ppm				
33 = +3.3V	F = -20° / +70°C	30 = ±30 ppm				
	G = -30° / +75°C	50 = ±50 ppm				
	H = -30° / +85°C	100 = ±100 ppm				
	K = -40° / +85°C					

* Note : Not all combinations are possible , please consult us.

OUTLINE DIMENSIONS (MM)



Pin Connections

#1 : E/D

#2 : GND

#3 : Output

#4 : Vdd