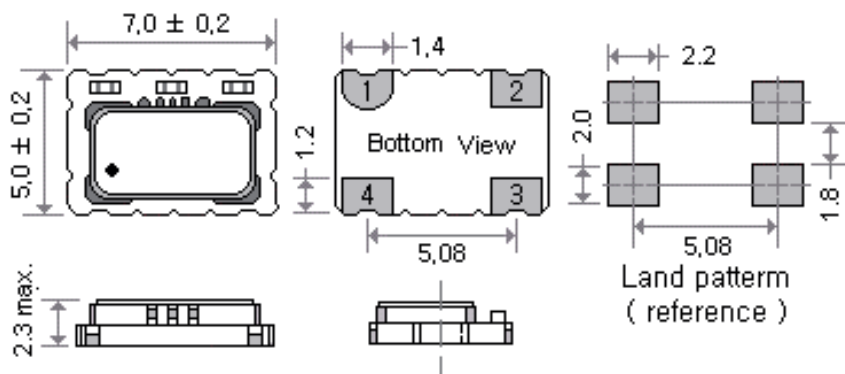


OPTIONS & ORDERING INFORMATION

SX7CT						MHz
Supply Voltage *	Operating Temp. *	Temperature Stability *	Tri-state Function	Package type	Frequency in MHz	
18 = +1.8V	C = 0° / +50°C	0.5 = ±0.5 ppm	F = No Tri-state	4P = 4-pad version	Please specify the frequency in MHz	
25 = +2.5V	D = -10° / +60°C	1.0 = ±1.0 ppm				
28 = +2.8V	F = -20° / +70°C	1.5 = ±1.5 ppm				
30 = +3.0V	G = -30° / +75°C	2.0 = ±2.0 ppm				
33 = +3.3V	H = -30° / +85°C	2.5 = ±2.5 ppm				
50 = +5.0V	K = -40° / +85°C	3.0 = ±3.0 ppm				

* Note : Not all combinations are possible , please consult us.

OUTLINE DIMENSIONS (MM)



Pin Connections

- #1 : NC
- #2 : GND
- #3: Output
- #4 :Vdd