

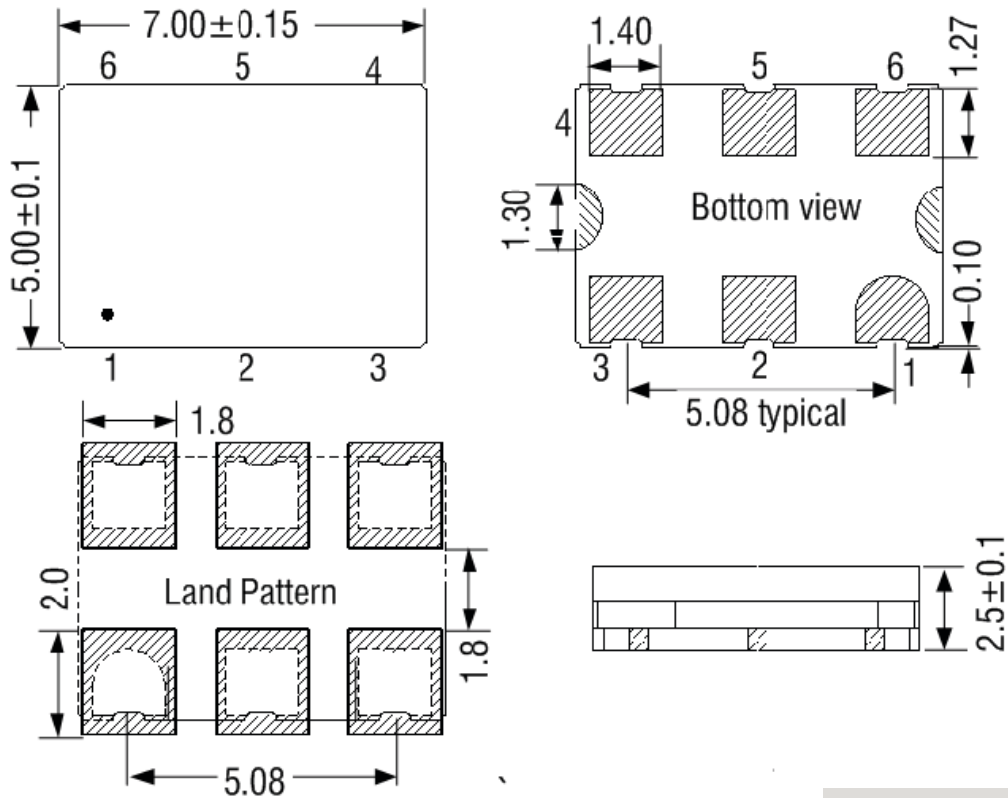
OPTIONS & ORDERING INFORMATION

SX7LVTQ						MHz
Supply Voltage *	Operating Temp. *	Temperature Stability *	Tri-state Function	Package type	Pulling **	Frequency in MHz
25 = +2.5V 33 = +3.3V	F = -20° / +70°C G = -30° / +75°C H = -30° / +85°C K = -40° / +85°C	0.5 = ±0.5 ppm 1.0 = ±1.0 ppm 1.5 = ±1.5 ppm 2.0 = ±2.0 ppm 2.5 = ±2.5 ppm	E2 = Tri-state , pin 2	6P = 6-pad version	08 = ±8 ppm min.	Please specify the frequency in MHz

*Note : Not all combinations are possible , please consult us.

** Other pulling range is available on customer specification

OUTLINE DIMENSIONS (MM)



Pin Connections

#1 : Control Voltage

#2 : E/D

#3: GND

#4 : Output

#5 : Complementary Output

#6 :Vdd