

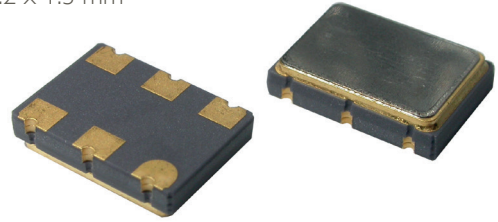
SX5CQPV

CMOS SURFACE MOUNT VOLTAGE CONTROLLED CRYSTAL CLOCK OSCILLATOR

FEATURES

- Frequency Switchable Oscillator
- Up to 250 MHz
- Short delivery

5.0 x 3.2 x 1.3 mm



Item	Specification	
Frequency Range	10.0 MHz ~ 250.0 MHz	
Output Signal	CMOS	
Overall Frequency Stability *	± 25 ppm ~ ± 100 ppm (see options)	
Operating Temperature Range	0 ~ +70°C commercial application (see options) -40 ~ +85°C industrial application (see options)	
Supply Voltage Vdd	+2.5V ±5%	+3.3V ±5%
Control voltage center	+1.25V	+1.65V
Control voltage range	0.2V to 2.3V	0.3V to 3.0V
Supply Current Idd	40 mA max	
Output Level	VOH ≥ 0.9Vdd	VOL ≤ 0.1 Vdd
Output Load	15 pF	
Symmetry	45 / 55 %	
Rise / Fall time Fr/Ff	8.0 ns max.	
Frequency Pulling Range	±80 ppm min. ; up to ±200 ppm min. , please contact us.	
Linearity	5% typical ; 10% max.	
Slope Polarity	Positive (Increasing control voltage always increases output frequency)	
Modulation bandwidth	10 kHz min (-3 dB)	
Input impedance	1 MΩ min.	
Start-up Time	3 ms typ. ; 10 ms max.	
RMS Phase Jitter (12 kHz to 20 MHz)	1.0 ps typ.	
Frequency selection	FSEL	Frequency output
	0	Freq. 1
	1	Freq. 2
Packing Unit	1000pcs / reel	
Soldering Condition	260°C , 10 sec x2 max	

(*) Includes initial tolerance @+25°C , stability over operating temperature , stability vs. load change , stability vs. supply change and one year aging

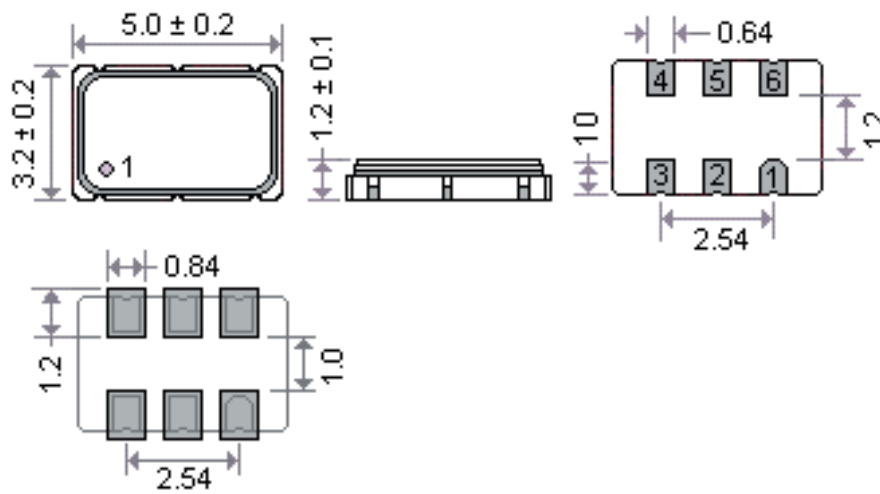
Customer specifications on request

OPTIONS & ORDERING INFORMATION

SX5CQPV	Supply Voltage *	Operating Temp. *	Overall Stability *	Tri-state Function	Pulling *	Frequency 1 (MHz)	Frequency 2 (MHz)
	25 = +2.5V 33 = +3.3V	E = 0° / +70°C F = -20° / +70°C K = -40° / +85°C	25 = ±25 ppm 50 = ±50 ppm 100 = ±100 ppm	F = No Tri-state	80 = ±80 ppm min. 100 = ±100 ppm min. 150 = ±150 ppm min. 200 = ±200 ppm min.		

* Note : Not all combinations are possible , please consult us.

OUTLINE DIMENSIONS (MM)



Pin Connections

- #1 : Control voltage
- #2 : FSEL
- #3: GND
- #4 : Output
- #5 : NC
- #6 :Vdd